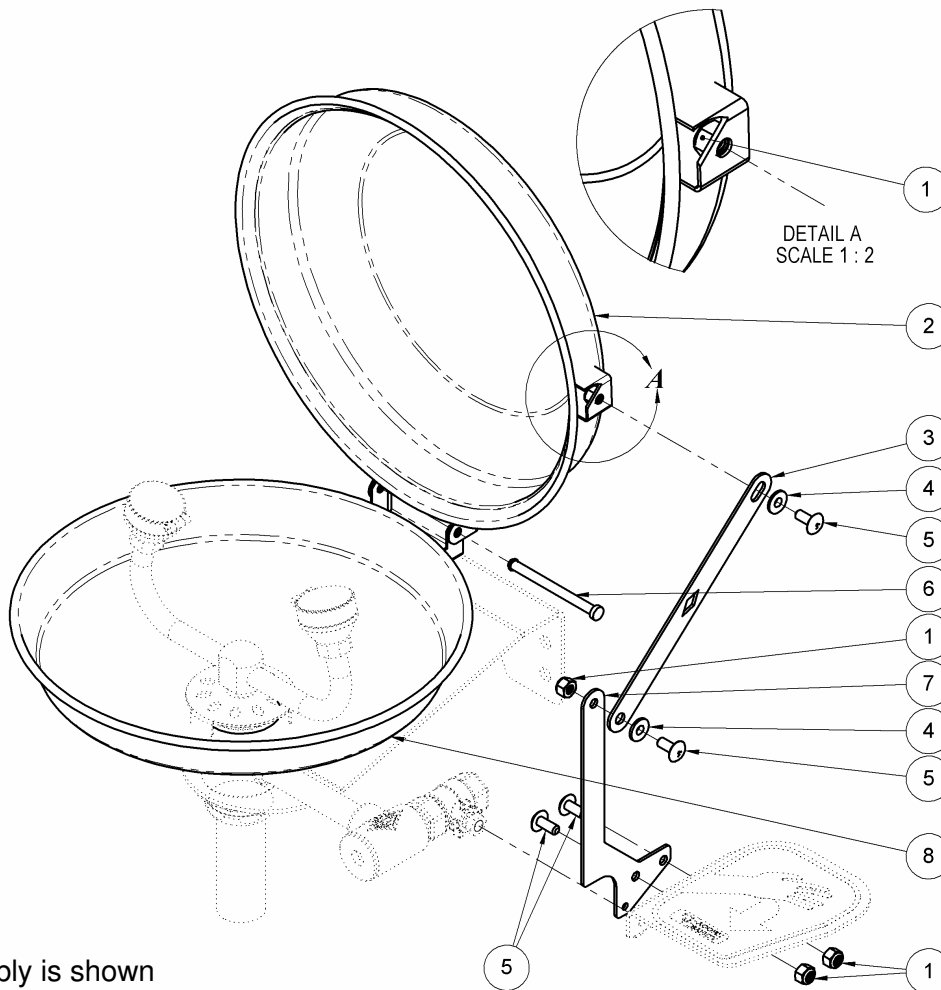


CLAMSHELL EYE/FACE WASH PARTS BREAKDOWN

PARTS LIST

ITEM #	PART NUMBER	DESCRIPTION
1	0302-013-000	1/4-20x3/8H S/S HEX NUT W/ NYLOCK
2	7101-320-005	CLAMSHELL COVER
3	7101-308-150	SIDE LINK 1, CLAMSHELL COVER
4	7101-316-000	.25IDx.31OD PLSTC SHLDR WSHR
5	6502-200-000	1/4 - 20 X 5/8 TRUSS HD PHILL SCREW
6	7101-312-001	PIVOT PIN, 1/4"X 3"L AND CLIP
7	7101-310-150	SIDE LINK 2, CLAMSHELL COVER
8	7101-320-002	EYEWASH BOWL, STAINLESS STEEL



Note: Assembly is shown installed on a wall mount eyewash. Components are the same for pedestal and combination units.